

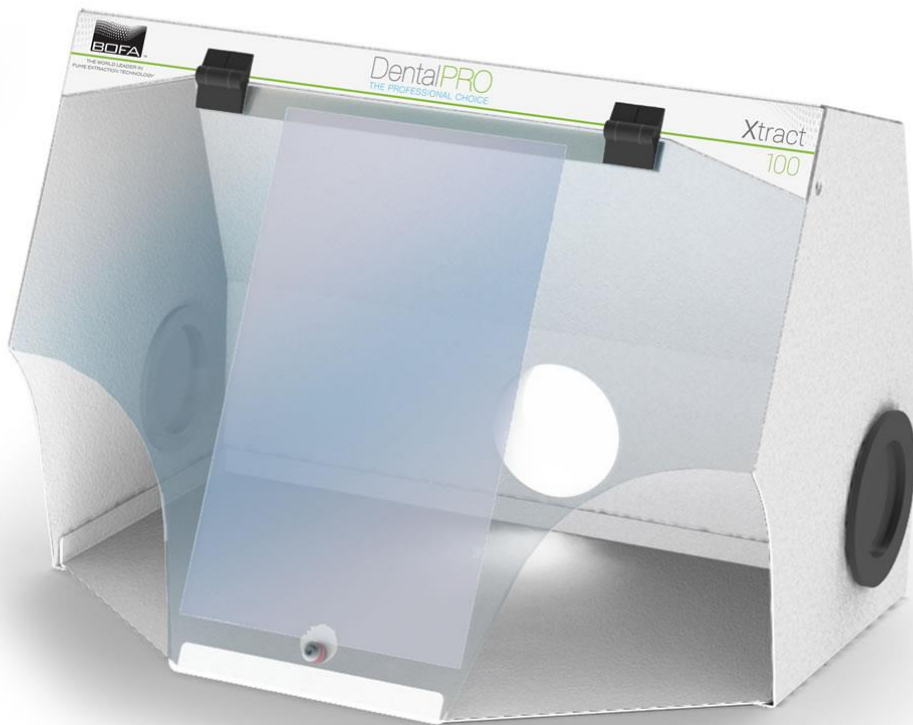


A Donaldson Company

A WORLD LEADER IN FUME
EXTRACTION TECHNOLOGY

DentalPRO Xtract 100

USER MANUAL



Contents

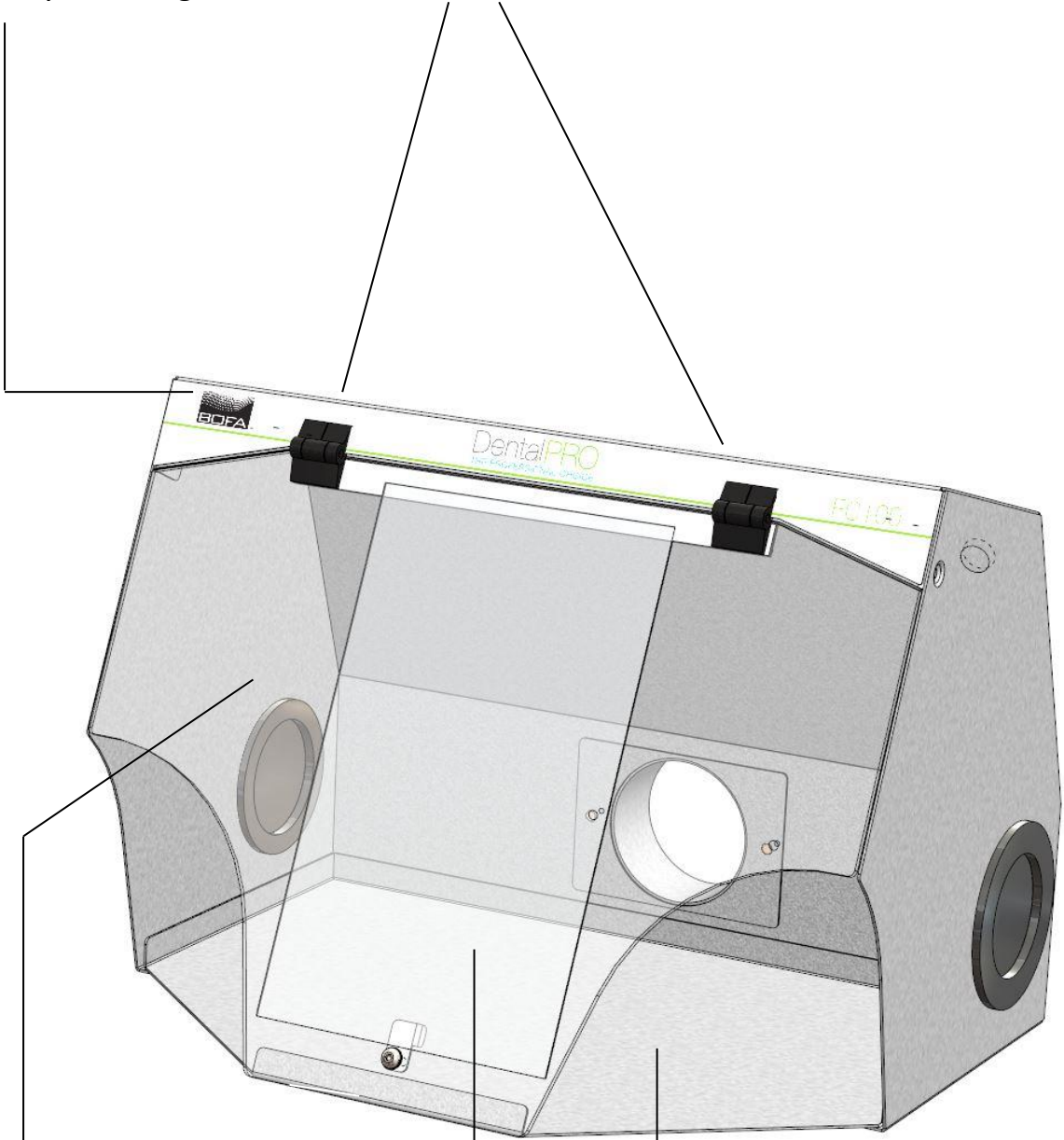
1	01	Overview of your Xtract system (front)
	02	Overview of your Xtract system (back)
2	01	Important safety notes
3	01	Unpacking and unit placement
4	01	Connecting to power supply
5	01	Cleaning the unit
6	01	DentalPRO Extract 100 Specifications

Overview

1 01

Screen Hinges

Company Branding



Transparent Anti-Static
Polycarbonate panel

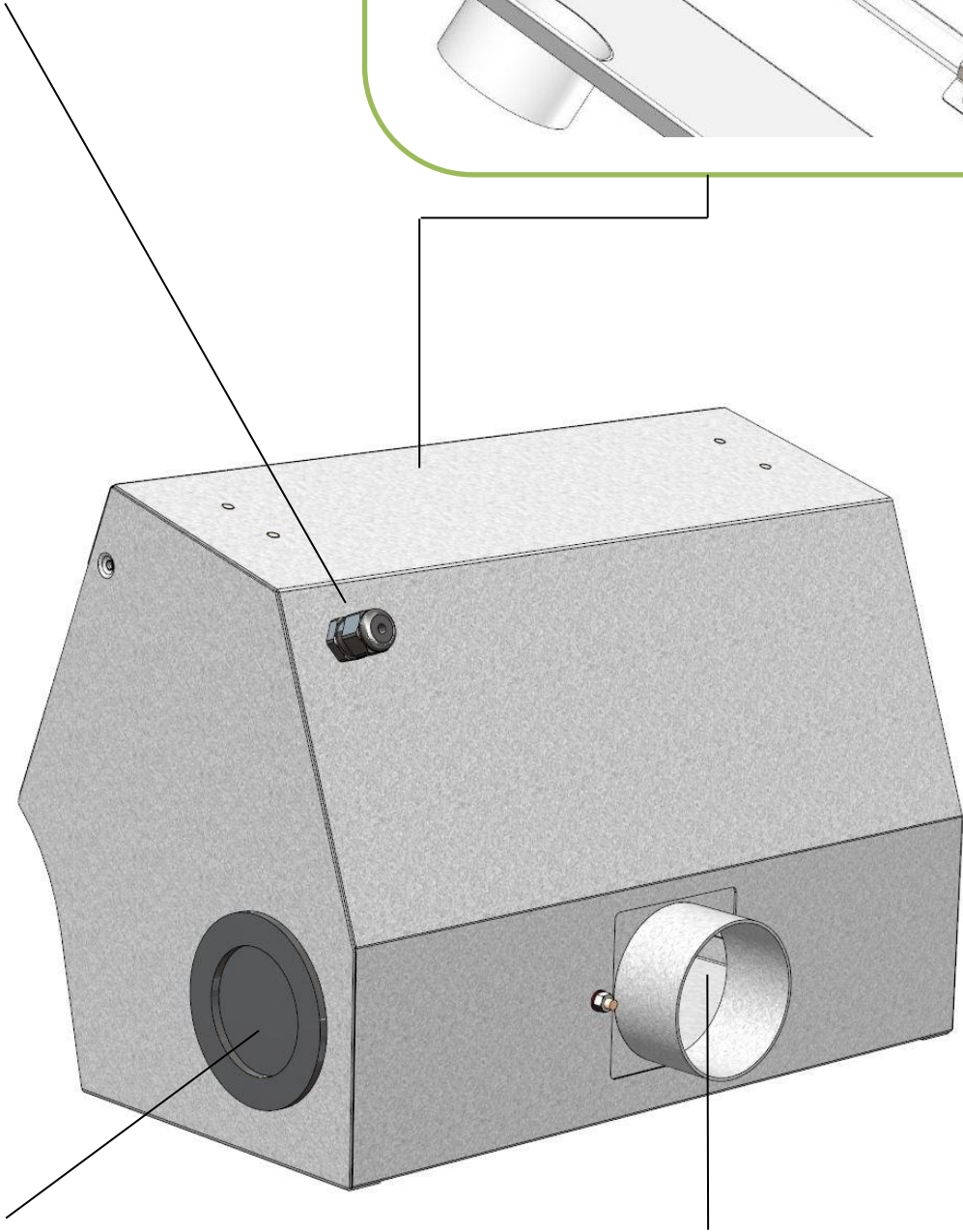
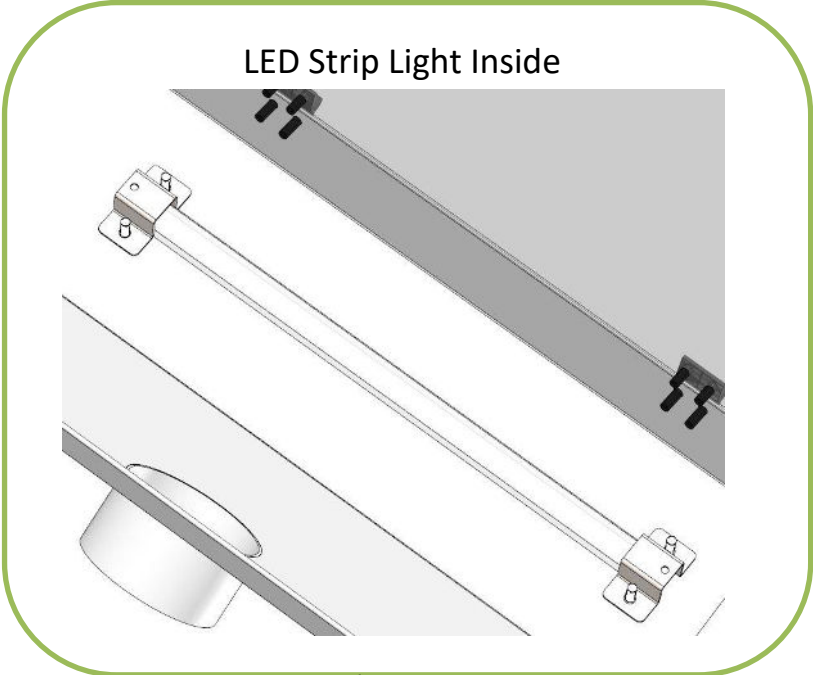
Replacement
PolyCarbonate
Protective Panel

Cut-outs at each
side for operator

Overview

1 02

LED Light Power Inlet



Cable Inlets

Air Inlet (to extractor unit)

Safety Instructions



Important safety notes

Concerning symbols used on the DentalPRO Xtract and referred to within this manual.



Danger

Refers to an immediately impending danger. If the danger is not avoided, it could result in death or severe (crippling) injury. Please consult the manual when this symbol is displayed.



Warning

Refers to a possibly dangerous situation. If not avoided it could result in death or severe injury. Please consult the manual when this symbol is displayed.



Caution

Refers to a possibly harmful situation. If not avoided, damage could be caused to the product or something in its environment.



Important (Refer to manual)

Refers to handling tip and other particularly useful information. This does not signify a dangerous or harmful situation. Refer to manual when this symbol is displayed.

Electrical Safety

The DentalPRO Xtract 100 has been designed to meet the safety requirements of the Low Voltage Directive 2006/95/EC (previously numbered 73/23/EEC)

Important

To reduce the risk of fire, electric shock or injury:

1. Use only as described in this manual.
2. Connect the system to a properly grounded outlet.

This unit should not be used on processes with sparks of flammable materials or with explosive dusts and gases, without implementation of additional precautions.

BOFA Technical Service

If problems arises with your DentalPRO Xtract 100 please contact us:

- Visit our website at www.bofa.co.uk for on-line help.
- Or contact the helpline on **+44 (0) 1202 699 444**, Mon-Fri, 9am-5pm.
Email: Technical@bofa.co.uk

Before Installation

3 01

Packaging Removal & Unit Placement

Before installation, check the extraction unit for damage. All packaging must be removed before the Xtract is connected to the power supply.

Please read all instructions in this manual before using this Xtract unit.

1. Remove the outer packaging and place the Xtract 100 in the location where it is going to be installed.



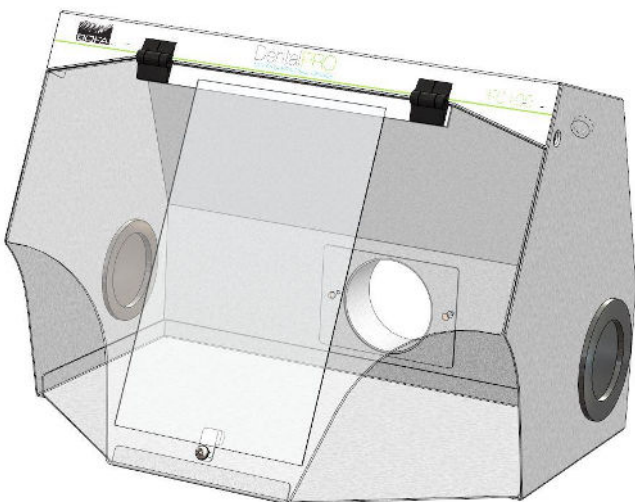
Caution

Do not block or cover the airflow and motor cooling ports on the unit, as this severely restricts airflow and may cause damage to the unit.



Caution

Under no circumstances should the exhaust outlet/s be covered as this will restrict the airflow and cause overheating.

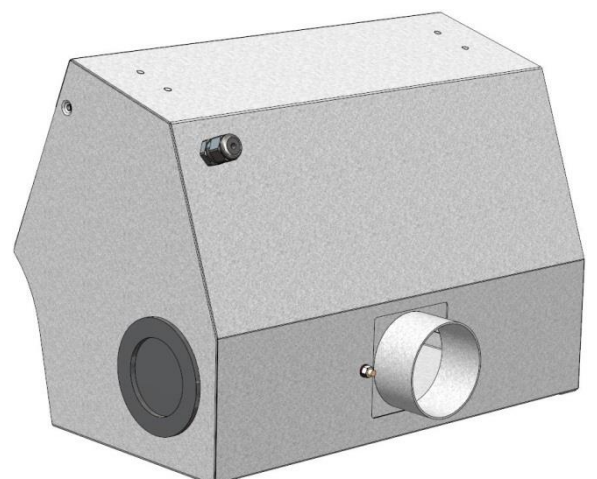
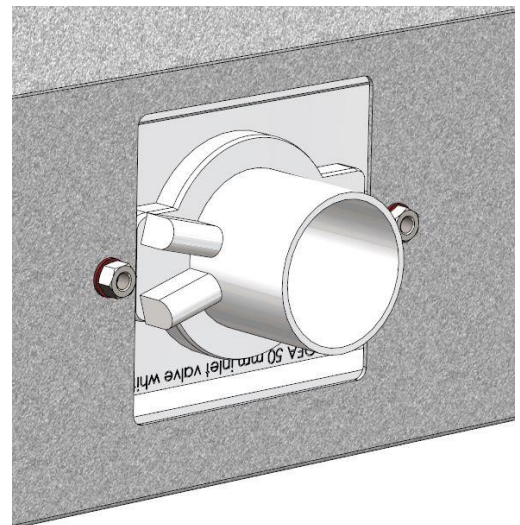
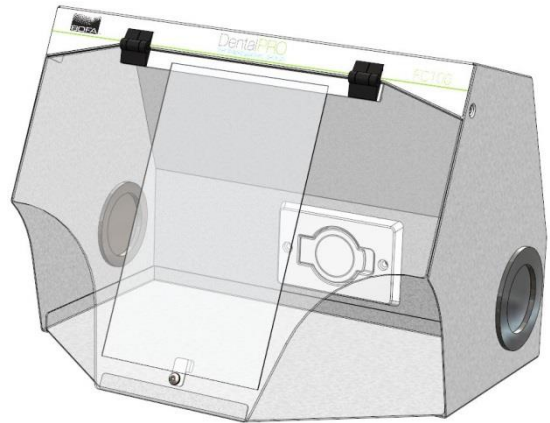


Installation

Inlet Connections

The Xtract 100 features two different kinds of interchangeable inlet port, a 75mm spigot plate or a flip top connector.

These can be changed to suit the user's needs.



Installation



Specification: DentalPRO Xtract 100

Dimensions: Height 293mm Depth 338mm Width 408mm
Weight: 7.8kg
Input: 100-240V
50/60Hz
Current: 0.6A

Connection to Power Supply

Ensure the power supply is suitable before connecting the Xtract 100 system.

Check the Integrity of the electrical power cable, if the supply cord is damaged the unit should not be connected to the mains.

The unit **MUST** be connected to a properly earthed outlet.



Connect the power cable to an isolated electrical supply.

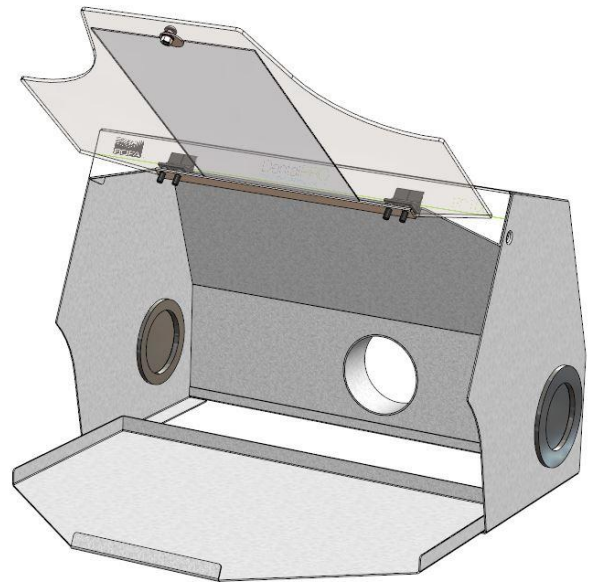
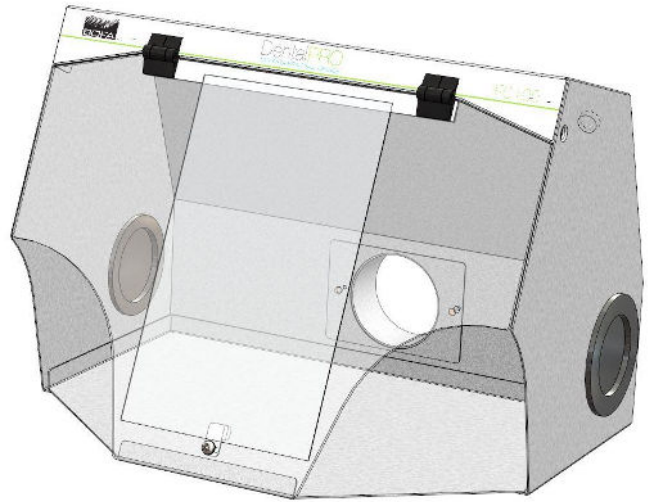


The mains socket should be installed near the extractor it should be easily accessible and able to be switched On/ Off. The cable run should be arranged so as not to create a trip hazard.

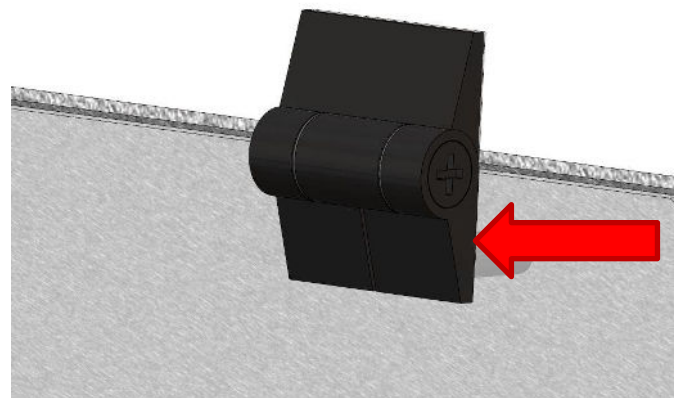
Hinged Front Panel

The Xtract 100 features a hinged transparent front panel. This allows for better airflow whilst protecting the user from debris given off during the dental milling process. A removable tray ensures all debris is contained and that the work area is kept clean.

The friction hinges can be manually adjusted to hold at a desired height. This is done by turning the screw running through the centre of the hinge clockwise to tighten and anti-clockwise to loosen



VOLOGY



During the machining processes which remove material, dust is usually generated as a by-product. This dust needs to be removed in order to prevent interference with the performance of the machine and also to protect the health of the operator. The DentalPRO range of units has been developed to provide effective removal of particulates created during processes such as milling and grinding. DentalPRO units are compact and portable. They are of robust design, and feature ease of use with minimal maintenance and long life.

Exposure to airborne contaminants at work, such as inhalable and respirable dust particles, can put people's health at risk. Health and safety regulations require employers to control exposure to hazardous substances in order to prevent ill health. The use of a suitable extraction system will enable you to conform to the Health and Safety regulations and protect the health employees and others.

The Xtract 100 has been designed to remove and filter fume containing potentially hazardous particulate generated during manufacturing processes. Such hazardous substances are captured within a multistage filtration system after which the cleaned air is returned to the workplace.

Fume Capture Methods

The fume is normally captured by 1 of 3 methods.

- Flexible arm/ Nozzle
- Enclosures
- Cabinets

General Guidelines for a successful installation

- Keep duct run length to a minimum
- Avoid sharp bends / turns in the ductwork
- Avoid multiple bends / turns in the ductwork
- Use a larger diameter duct where able
- Position the capture device as close as possible to the marking point. (if used on high speed lines, position the capture device slightly downstream)

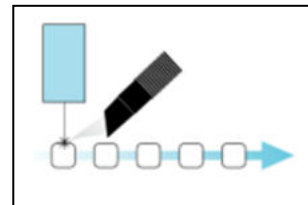
Flexible Arm & Nozzle Extraction (Optional Kits)

The stay put arm should be mounted as close as possible to the marking point. Unscrew the push fit connector from the other side of the flexible hose. Cut the flexible hose to suit the distance back to the extractor connection and push onto the extractor inlet.

Purge air should be kept to a minimum, where possible, to prevent the fume being blown away from the nozzle.

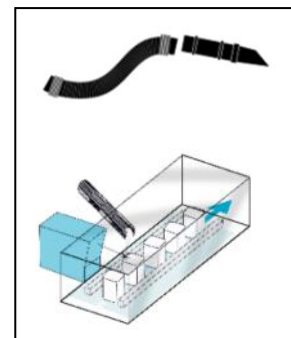
Moving products

For applications where the product to be marked is moving past the stationary head the capture nozzle should be positioned as close as possible to the marking area on the side the product is moving towards.



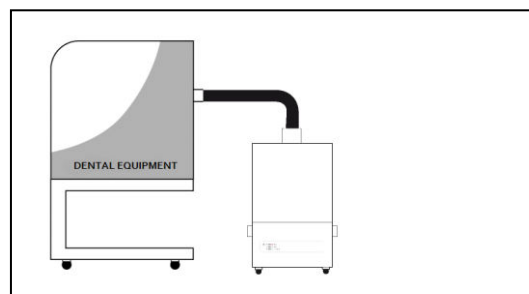
Enclosures

The extraction hose and nozzle can be attached to the enclosure surrounding the marking zone provided that the extraction point is within 50-75mm of the marking point.



Cabinets

Cabinets normally have a 75mm or 100mm spigot for fume extraction. For best performance use the same diameter hose as the spigot and reduce at the extractor end if necessary. **Keep the hose run as short as possible.**



Maintenance

5 01

Maintenance UK

It is a legal requirement, under regulation 9 of the COSHH regulations that all local exhaust ventilation systems are thoroughly examined and tested at least once every 14 months (typically carried out annually). The approved code of practice recommends that a visual check should be carried out at least once a week.

COSHH requires the annual inspection and testing to be carried out by a competent person and specifies that documentation results are recorded in a log.

Contact the seller for more information about inspection and certification.

Maintenance General

User maintenance is limited to cleaning the unit, only the manufacturers trained maintenance technicians are authorised to carry out component testing and replacement. Unauthorised work may result in a potentially dangerous situation and will invalidate the manufacturer's warranty.

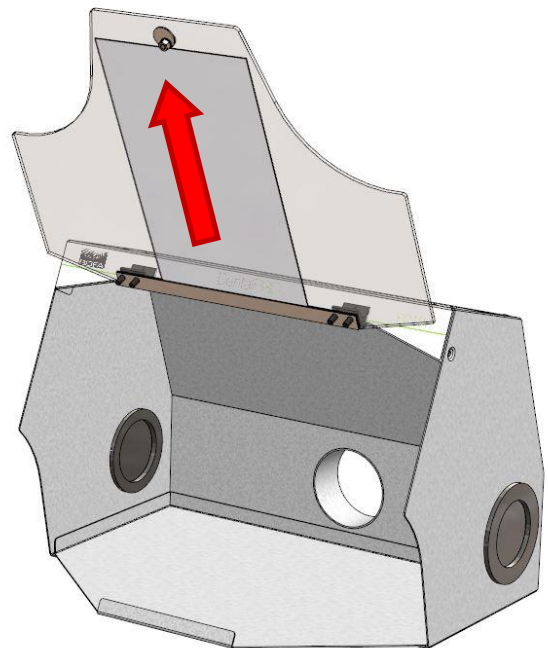
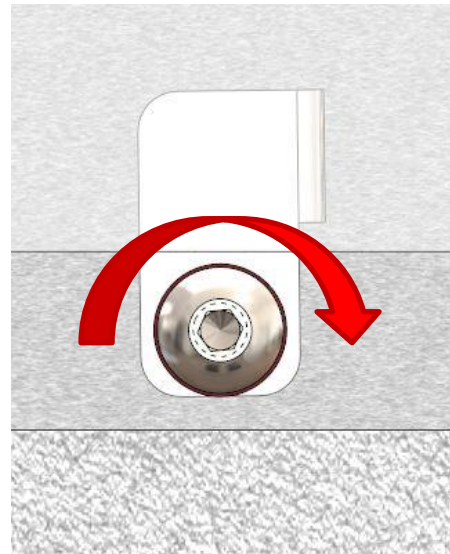
Cleaning the unit

The powder coat finish can be cleaned with a damp cloth and non-aggressive detergent, do not use an abrasive cleaning product as this will damage the finish.

The inlets and outlets should be cleaned once a year to prevent build-up of dust and overheating of the unit.

The Xtract 100 features a removable polycarbonate screen. This is fitted over the main screen and protects it from any scratches or abrasions that may occur during the milling process. The protective screen is disposable and can be removed by turning the circular latch on the main screen through 180°. The screen can now be slid down and removed from the unit.

Replacement screens are available from BOFA.



System Specifications



Unit: DentalPRO Xtract 100

Weight: 7.8kg 17.2 lbs

Input: 100-240V

50/60Hz

Current: 0.6A

Size:

	Metric (mm)	Imperial (inches)
Height	293	11.5
Depth	338	13.3
Width	408	16.0

Contact Information

BOFA Headquarters

19-20 Balena Close
Creekmoor industrial Estate
Poole
Dorset
BH17 7DU
UK
Phone: +44 (0) 1202 699 444

BOFA Americas

303 S. Madison Street
Staunton
Illinois
62088
USA
Phone: +1 (618) 205 5007

BOFA International GmbH

Sudring 62
D-21465
Wentorf bei Hamburg
Germany
Phone: +49 (0) 40 7393735-15