



A WORLD LEADER IN FUME
EXTRACTION TECHNOLOGY

Spark Arrestor 2

Last Updated on 02.02.2022



Helps to prevent burning particulate from entering the fume extraction unit.

BOFA's Spark Arrestor 2 unit prevents potentially damaging, burning particulates generated during laser marking processes from entering the fume extraction unit.

Hot burning particulate is transported through the specially designed impingement plates positioned within the airflow, slowing the burning particulate down until it finally drops into the removable drop-out chamber.

[Watch our Spark Arrestor video](#)

Technology



Multi voltage
sensing (MVS) unit



ProTECT service
plan



SureCHECK
quality standard

Key features of the Spark Arrestor

Ideal for processes that generate burning particulate
Standard

Removable drop-out tray
Standard

Choice of inlet and outlet sizes
Standard

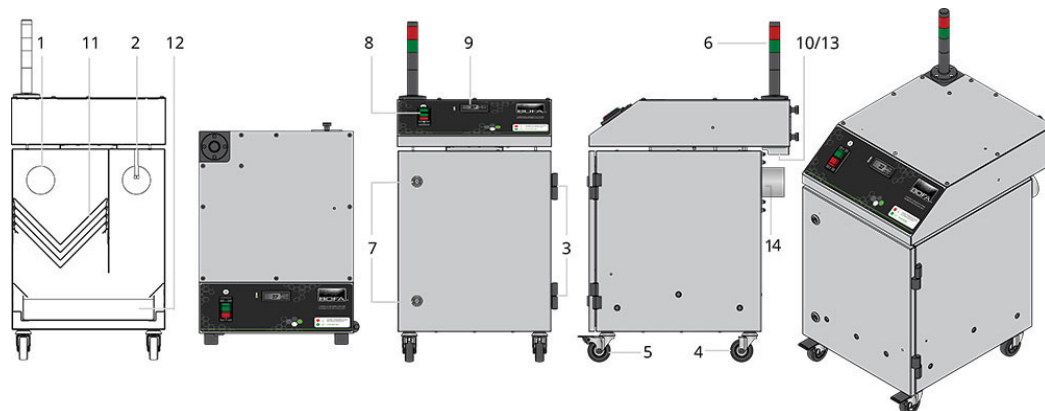
Technical specification

1. Inlet - 76.5mm / 125mm
2. Exhaust outlet - 76.5mm / 125mm
3. Hinged door
4. Castor wheels x 2
5. Locking castor wheels x 2
6. Warning beacon
7. Door latches
8. On / off switch
9. Temperature display
10. Power inlet
11. Filter plates
12. Drop out tray
13. Power outlet
14. Temperature sensor

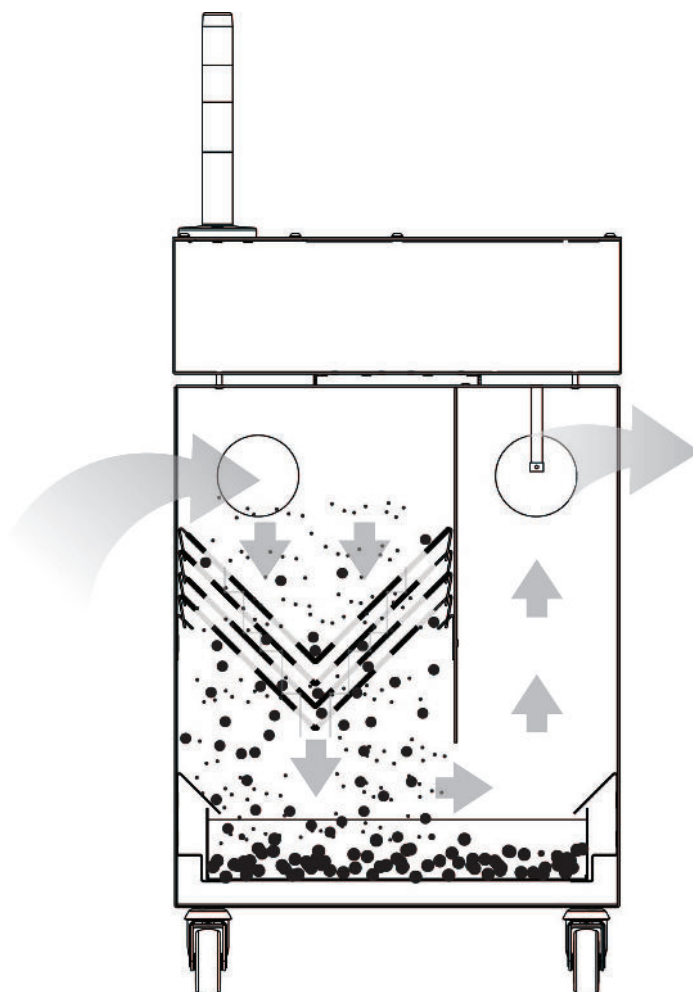
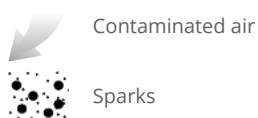
Contact BOFA at <https://bofainternational.com/en/contact/>
<https://bofainternational.com/en/portal/datasheets/spark-arrestor-2/>



Approvals: REACH and RoHS. See individual product technical data for specific accreditations



Airflow through unit



Technical data

	EU	US
Dimensions (HxWxD)	670 x 415 x 535 mm	26.37 x 16.34 x 21.06"
Cabinet construction	Stainless steel	Stainless steel
Electrical data	100-230VAC 1ph Full load current: 0.5 amps	100-230VAC 1ph Full load current: 0.5 amps
Weight	40.5kg	89.28lbs
Approvals	UKCA and CE	

Unit part numbers

Model	Inlet / outlet size	Part no.
Spark Arrestor Stainless steel	76.5mm (3")	30106163-1924-1
Spark Arrestor Stainless steel	125mm (4.9")	30106163-1924-2
Spark Arrestor Stainless steel	Twin port version: 75mm ports and a spare set of 125mm ports	30106163-1924-3

Datasheet correct at time of publishing.

Where applicable, the carbon used in BOFA units is capable of removing a wide range of VOCs, however it is the responsibility of the user to ensure the carbon is suitable for their application. For specific applications, please contact us for details.

Important Notice: *Many factors beyond the control of BOFA can affect the use and performance of BOFA products in a particular application, including the conditions under which the product is used. Since these factors are uniquely within the user's knowledge and control, it is essential the user evaluate the products to determine whether the product is fit for the particular purpose and suitable for the user's application. All products, product specifications, availability and data are subject to change without notice, and may vary by region or country.*

Think before you print! Please consider the environment before printing this document.

