

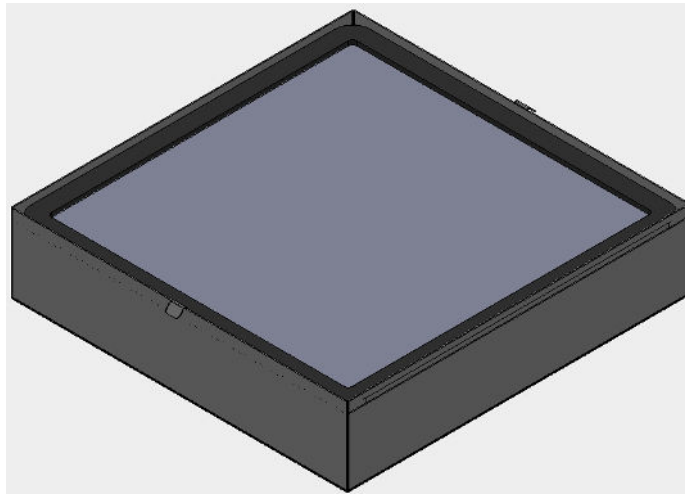


THE WORLD LEADER IN
FUME EXTRACTION TECHNOLOGY

Document No:	EFS00012	Issue:	1	Date:	09/07/18
--------------	----------	--------	---	-------	----------

Filter Specifications

Section 1	
Part Number	A1030220
Description	AD Oracle DS Hydrophobic HEPA Filter
Image	



Specifications	
Type	HEPA Filter
Dimensions (mm)	90H x 383W x 390D Approx.
Filter Media	Pleated glass fibre material.
Filter Media 2 (if applicable)	N/A
Fabrication	Zinc plated Steel case, sealed with Polyurethane sealant
Connection	Neoprene Gasket
Efficiency	99.997% removal of 0.3µm particles
Carbon Weight	N/A

Filter materials are non-toxic and therefore can be disposed of under normal waste conditions, subject to analysis of the collected particulate and/or Gas